



# AetherLink Product Application

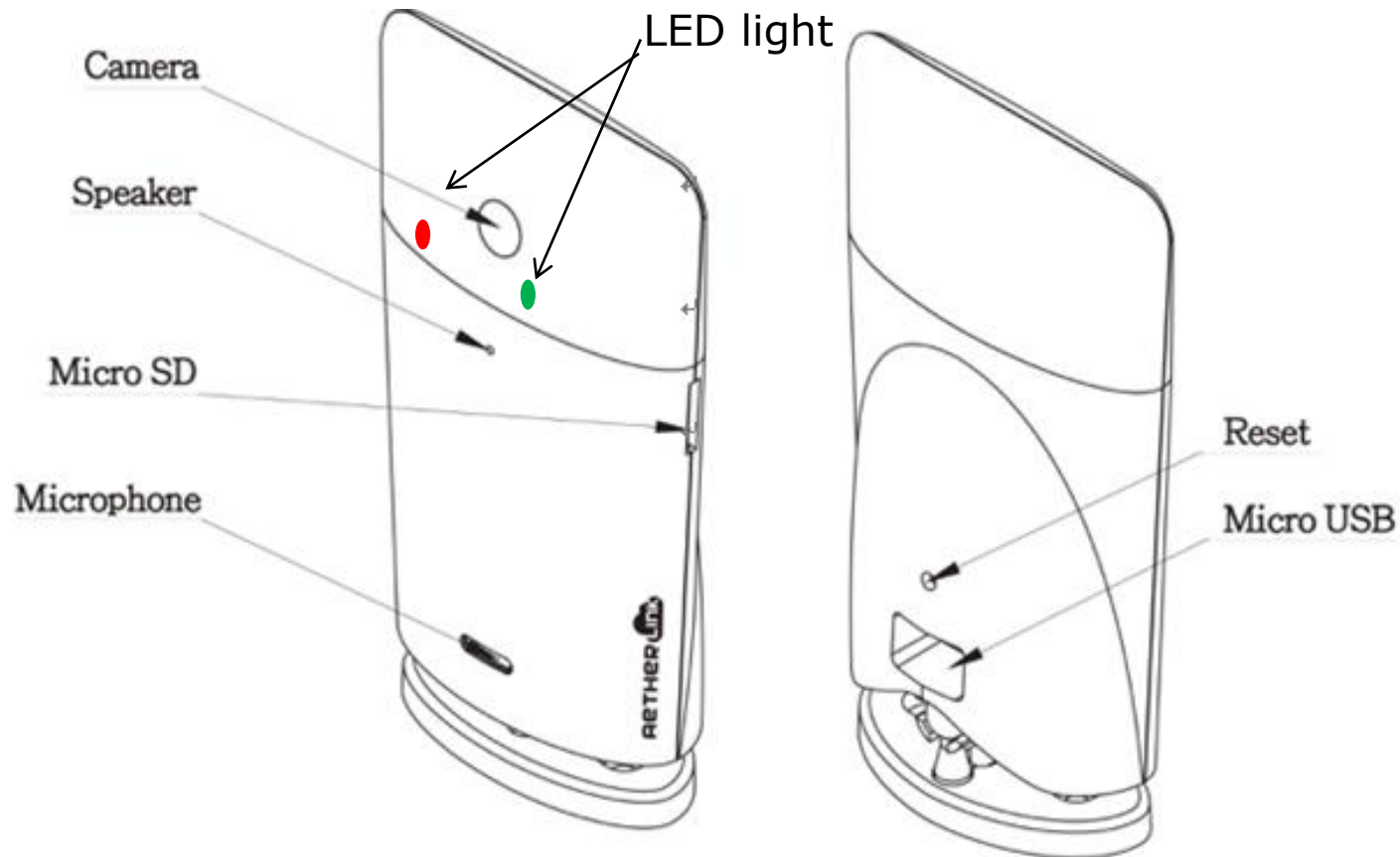
**GKB SECURITY CORPORATION**  
Present by FAE Team

Making Security Easier.



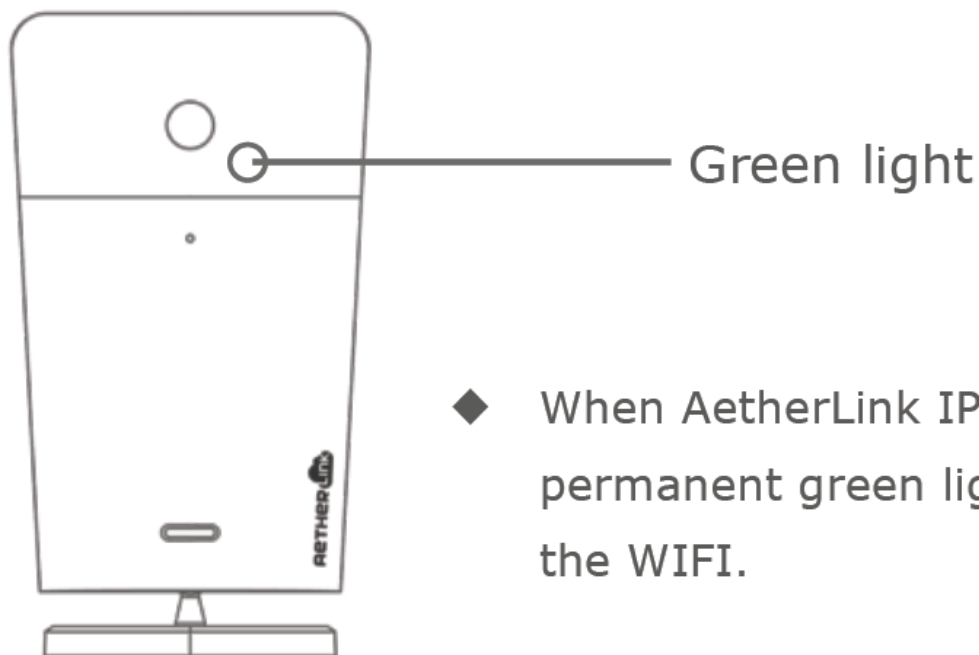
# IP Camera Introduction (GKB AC80128GB)

1. Green Light twinkling: Not connecting to WIFI.
2. Permanent Green Light: Already connected to WIFI.
3. Red Light twinkling: User is logging remotely.



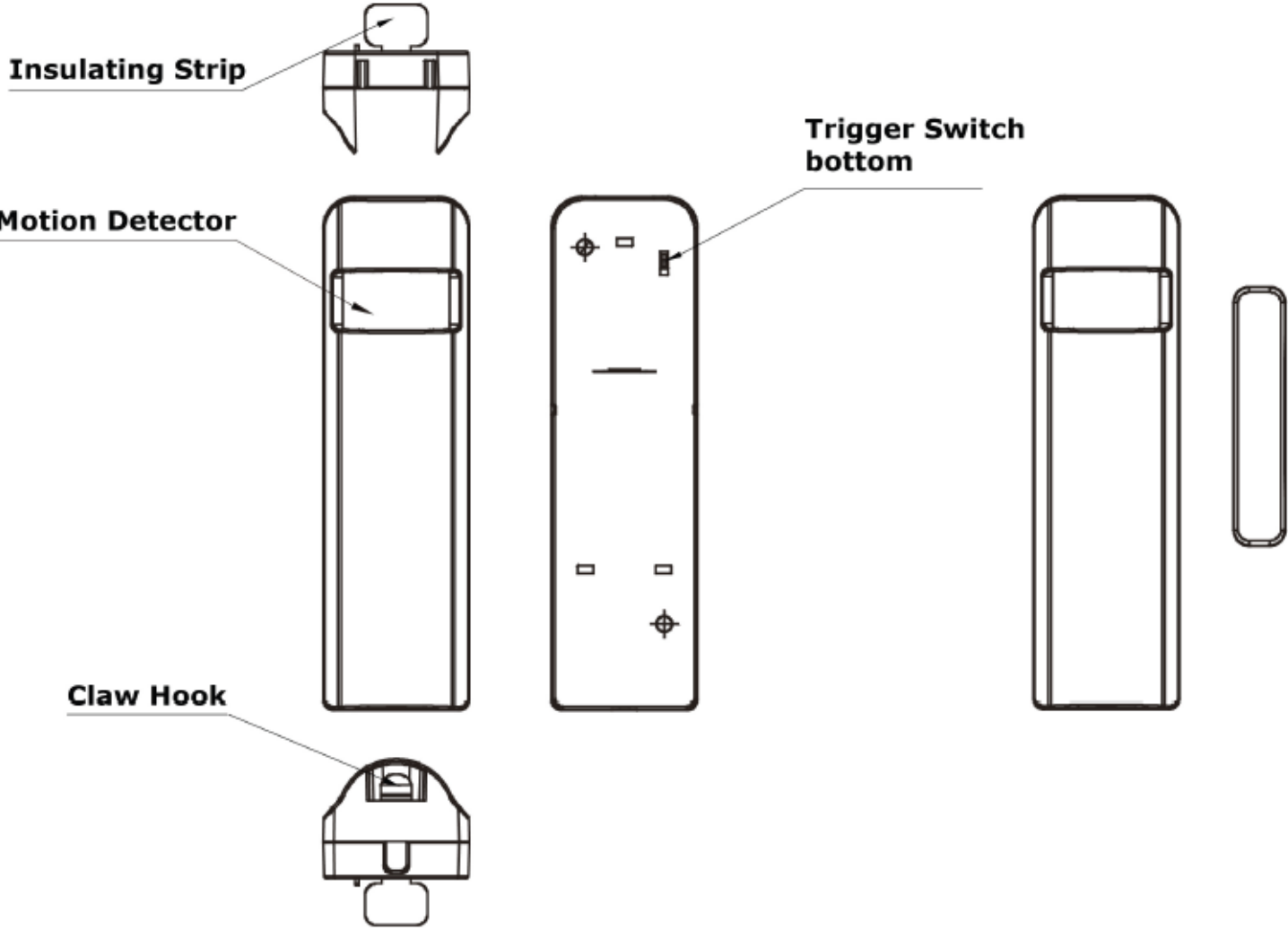
# WIFI Configuration

1. Connect your mobile to 2.4GHz WIFI AP.
2. Start the AetherLink APP and press "Add New Camera"
3. Click "set wireless", then follow the instructions embedded in the APP.  
(Make sure AetherLink camera connect to the same WIFI AP as your mobile)



- ◆ When AetherLink IP CAM shows permanent green light, it is connected to the WIFI.

# Multi 4 in 1 Sensor (GKB AA103) Introduction

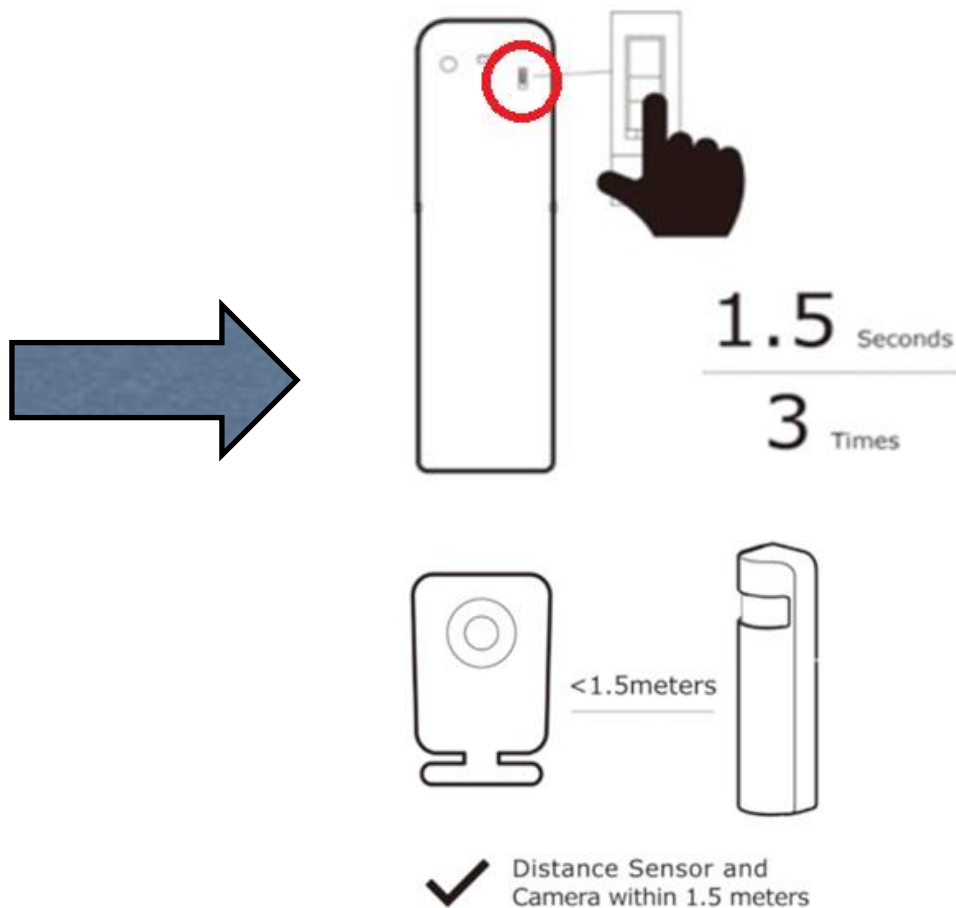


# Add Multi 4 in 1 Sensor (GKB AA103)

1. Press “+Add” in the APP



2. Press the button 3 times in 1.5 seconds.

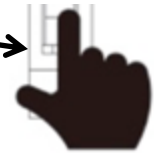
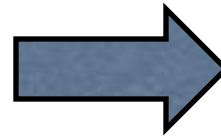


# Add Power Switch Sensor (GKB AA102)

1. Connect the power switch sensor to the socket.

2. Press “+Add” in the APP

3. Press the button 3 times in 1.5 seconds.

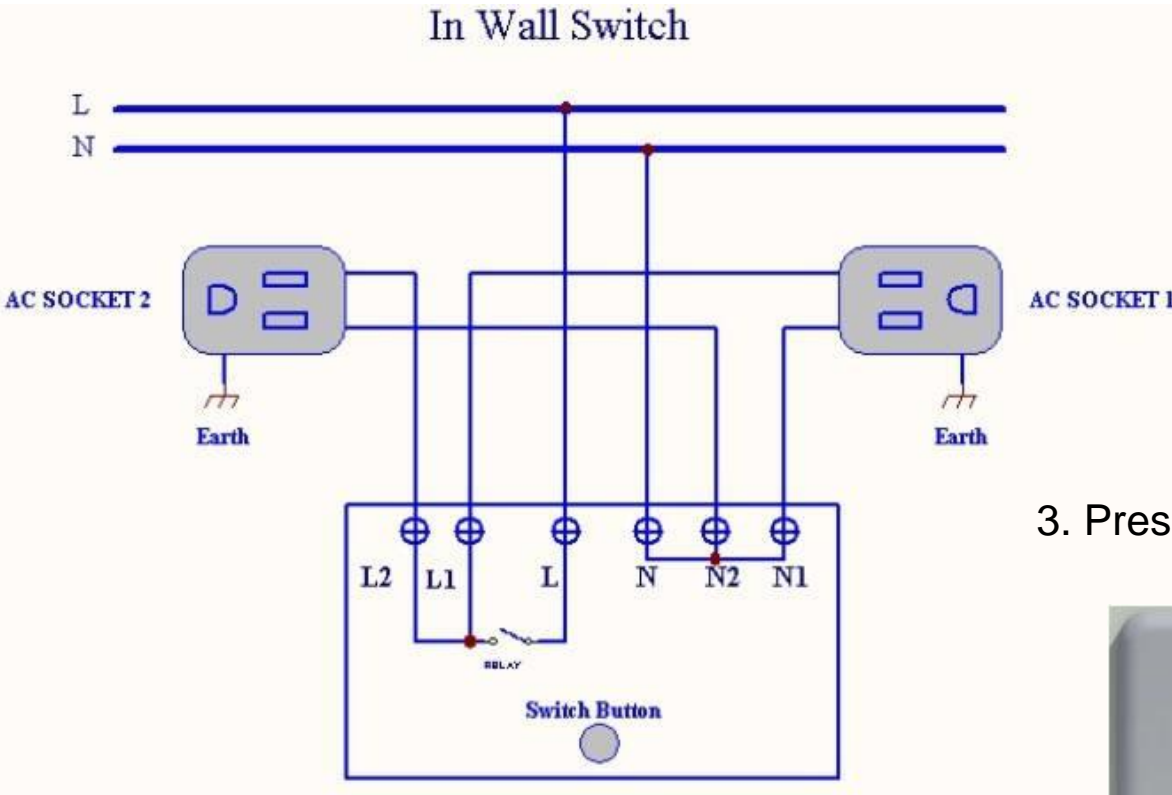


1.5 Seconds  
3 Times

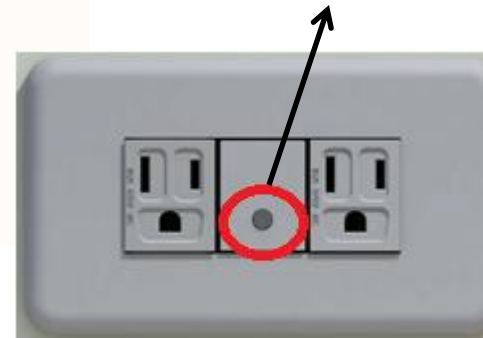
# Add In Wall Switch Module (GKB AA106)

1. Open the socket and follow below cable distribution.

2. Press “+Add” in the APP



3. Press the button 3 times in 1.5 seconds.



# Delete sensors

1. Press “Delete” in the APP

2. Press the sensor’s button 3 times in 1.5 seconds.

